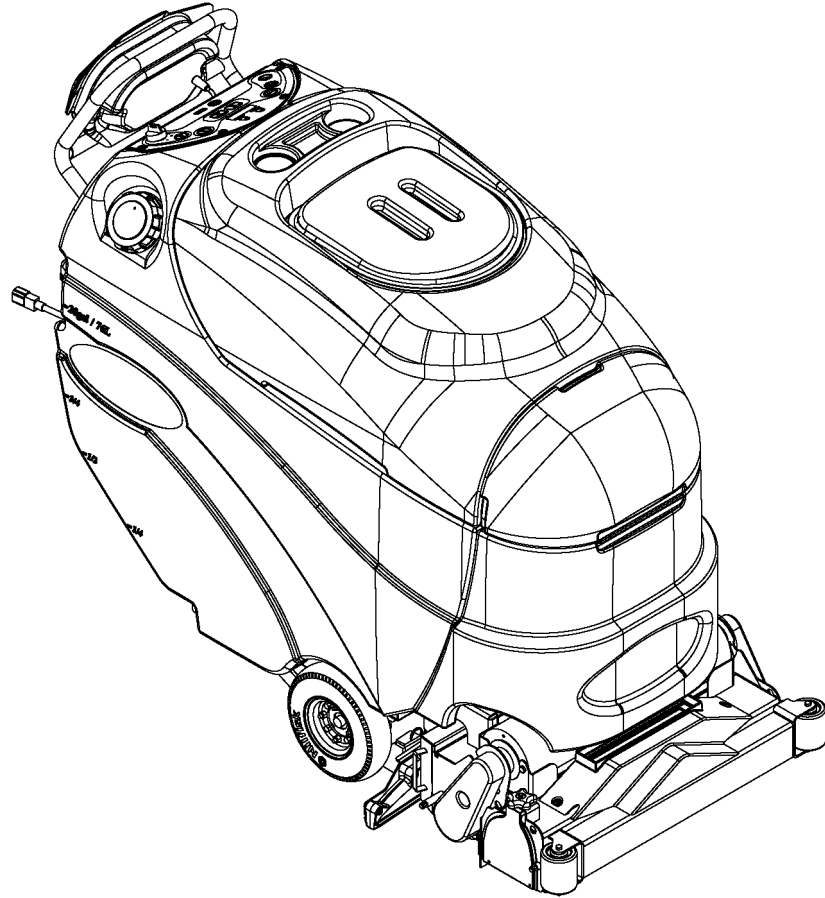


# AquaPLUS™

## AquaPLUS™ AXP



### Parts List

Advance Models: 56317001, 56317002



**Advance**  
by Nilfisk-Advance

4/07 revised 8/07 FORM NO. 56042476

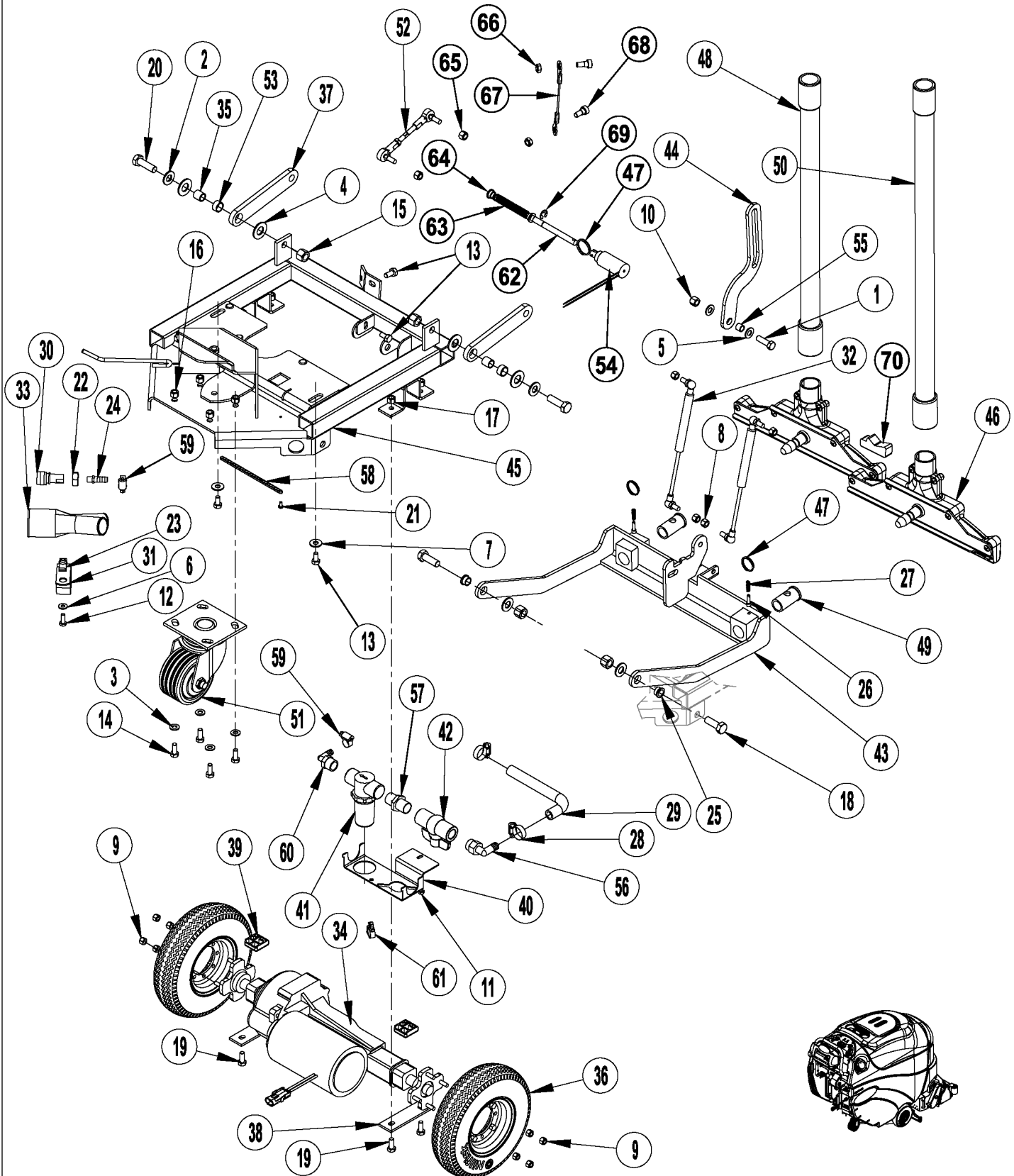


DESCRIPTION	PAGE
Chassis System .....	2-3
Decal System.....	4-5
Recovery System.....	6-7
Scrub System-Cylindrical.....	8-9
Solution System / Electrical-1 .....	10-11
Solution System / Electrical-2.....	12-13
Chemical Assembly (AXP Models Only).....	14-15
Paddle Assembly .....	16-17
Wiring Diagram .....	18-19
Optional Kits & Accessories.....	20

#### WHEN ORDERING PARTS

- \* Use the 8 digit numbers from the "Ref. No." columns in this parts list.
- \* Specify the model and serial number of the machine.
- \* Use the space below to record the model and serial number for future reference.

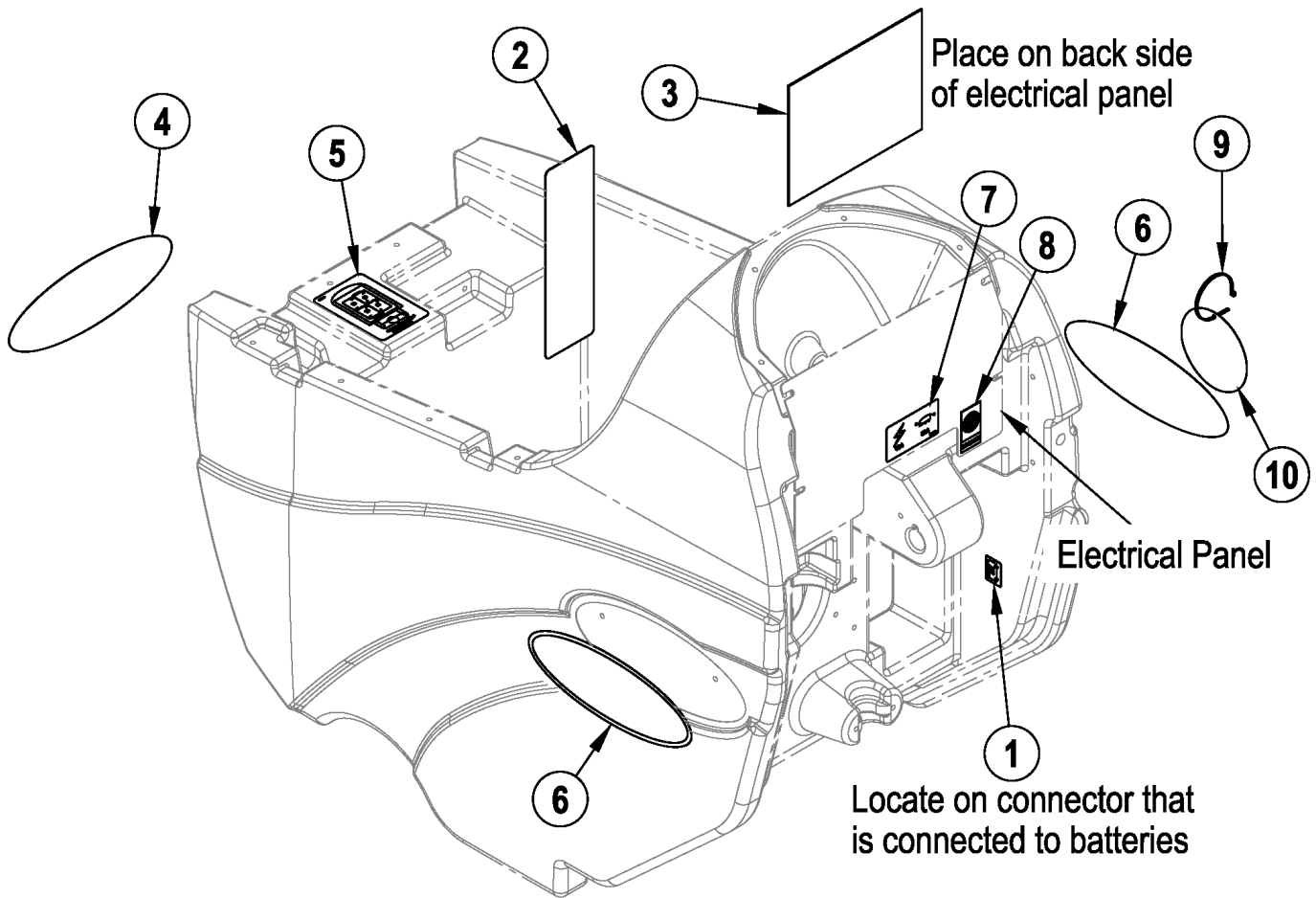
Model \_\_\_\_\_ Serial No. \_\_\_\_\_



Item	Ref. No.	Qty	Description	Item	Ref. No.	Qty	Description
1	56001858	1	Scr, Hex 3/8-16 x 1.25	36	56315115	2	Wheel, Drive
2	56001879	4	Wsh, Flt SAE 1/2	37	56315179	2	Linkage Arm
3	56001939	4	Wsh, Flt SAE 5/16	38	56315234	2	Plate
4	56002022	4	Wsh, Flt SAE 5/8	39	56315258	2	Shim
5	56002063	2	Wsh, Flt SAE 3/8	40	56315260	1	Bracket, Filter Mount
6	56002098	1	Wsh, Flt SAE 1/4	41	56315296	1	Solution Filter
7	56002220	2	Wsh, Flt STD 5/16	42	56315607	1	Ball Valve
8	56002701	4	Nut, Hex Nyl Loc 5/16-18	43	56317029	1	Shoe Support Weld't
9	56002708	8	Nut, Hex Nyl Loc 1/4-20	44	56317035	1	Link, Lift
10	56002769	1	Nut, Hex Nyl Loc 3/8-16	45	56317039	1	Chassis Weldt
11	56002832	1	Nut, Hex Nyl Loc-Thin 10-24	46	56317041	2	Shoe Assembly
12	56002948	1	Scr, Hex Hd Loc 1/4-20 x .75	*#	56317097	2	Replacement Shoe
13	56002988	4	Scr, Hex SS 5/16-18 x .62	*#	56317063	2	Shoe Bracket Weld't
14	56003179	4	Scr, Hex Thd To Hd M8-1.25 X 20mm	47	56317071	2	Ring (QTY of 3 on AquaPLUS AXP)
15	56003312	4	Nut, Hex Nyl Loc M12-1.75	48	56317091	1	Hose, Vac
16	56003389	4	Nut, Hex Nyl Loc M8-1.25	49	56317092	2	Bearing, Flange
17	56003405	4	Nut, Hex Nyl Loc SS M8-1.25	50	56317093	1	Hose, Vac
18	56003415	2	Scr, Hex M12-1.75 x 35mm	51	56317121	1	Caster Swiv 4.0 x 2.0
19	56003435	4	Scr, Hex SS M8-1.25 x 20mm	52	56317127	1	Turnbuckle
20	56003637	2	Scr, Hex M12-1.75 x 40mm	53	56370878	2	Bearing, Sleeve
21#	56009030	1	Scr, Pan Phil Thd Form 10-24 x .38	54	56317100	1	Solenoid, Pull Type (L3 / AquaPLUS AXP)
22	56009078	1	Nut, Hex Jam SS 5/8-18	55	56388326	1	Bushing
23	56009289	1	Nut, Retainer 1/4-20	56	56409152	1	Barb, 90 Elbow 1/2 x 1/2npt
24	56104299	1	Barb, Adapter 3/8 x 1/8 Npt	57	56412182	1	Nipple, Hex 3/4-14
25	56185264	2	Bearing, Flange	58	56467544	1	Chain
26	56317139	2	Pin	59	56756364	2	Clamp, Hose SAE #4
27	56201448	2	Spring, Compression	60	56900033	1	Barb, 90 Elbow 3/8 x 1/2npt
28	56219932	2	Clamp, Hose SAE #6	61	56900756	1	Clip, Conduit
29	56262180	1	Hose, Spiral .500	62	56317070	1	Rod, Latch (AquaPLUS AXP)
30	56265208	1	Socket, 1/8 FPT	63	56317067	1	Spring, Compression (AquaPLUS AXP)
31	56305492	1	P-Clamp	64	56324505	2	Bearing, Flange (AquaPLUS AXP)
32	56314206	2	Gas Spring	65	56002950	2	Nut, Hex Nyl Loc 5/16-24
33	56314557	1	Y-Tube	66	56002826	2	Nut, Hex Nyl Loc-Thin 5/16-18
34	56315062	1	Transaxle, 24V (M1)	67	56304126	1	Cable Assy
*	56315377	1	Motor	68	56003730	2	Scr, Soc Hd .38 x .25 x 5/16-18
*	56315378	4	Carbon Brush	69	56003262	1	Ring, Ret Ext Type E .38 Dia (AquaPLUS AXP)
*	56315379	2	Neoprene Mounting Sleeve	70#	56317156	1	Shoe Spacer, Foam
35	56315080	2	Bushing				

\* = Not Shown

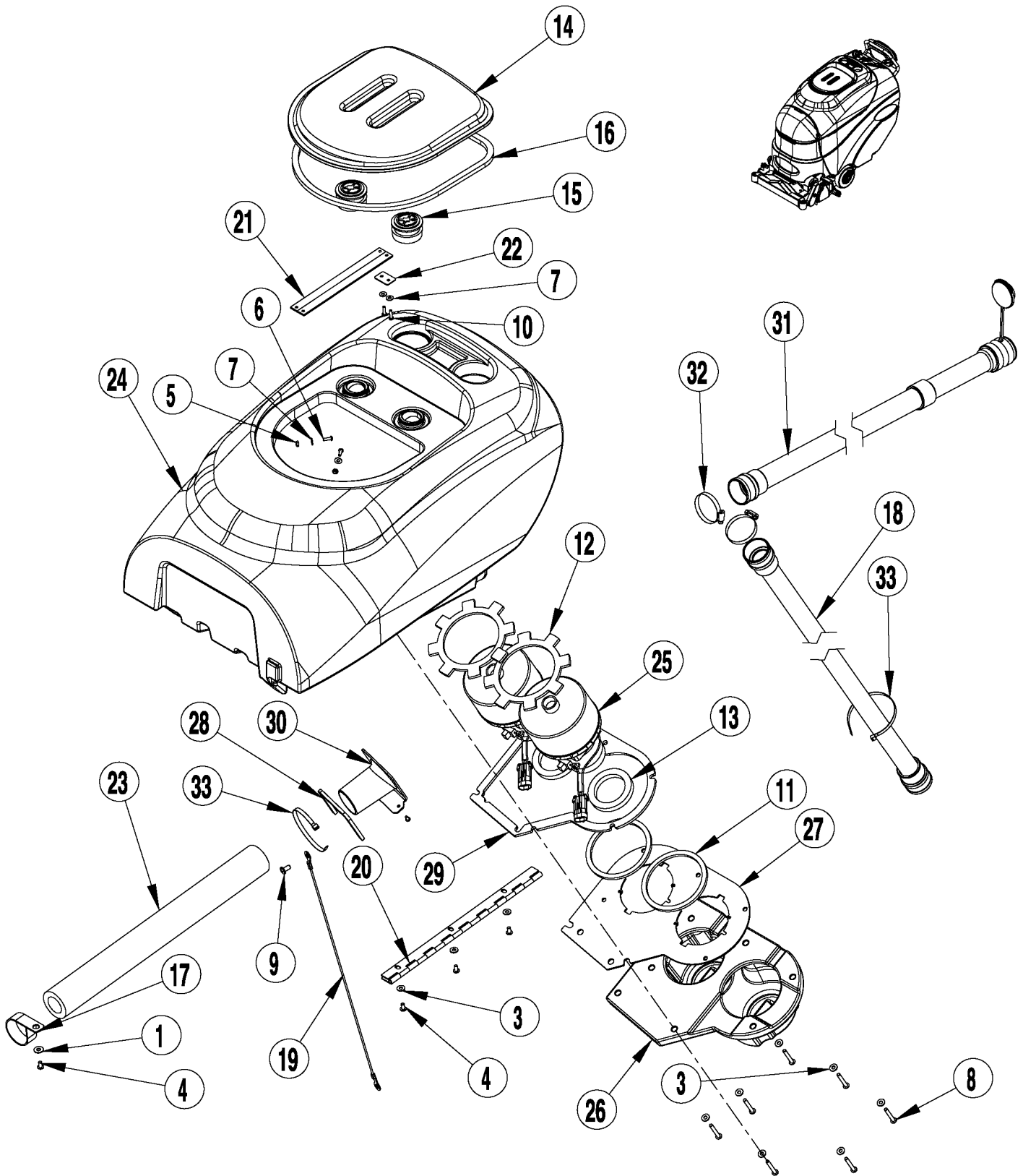
# = Revised or new since last update



07-4	<b>DECAL SYSTEM</b>		
07-8	<b>AquaPLUS™, AquaPLUS™ AXP</b>		<b>5</b>

Item	Ref. No.	Qty	Description
1	56054192	1	Decal, Charger
2	56014601	1	Decal, Caution
3	56015315	1	Decal, Ladder Diagram
4	56016349	1	Decal, Advance
5	56016688	1	Decal, Battery Wiring
6	56317125	2	Decal, AquaPLUS AXP
	56317124	2	Decal, AquaPLUS
7	56317131	1	Decal, Circuit Breaker
8#	56317151	1	Decal, CRI Bronze
9#	56317325789	1	Tie, Cable
10#	56040958	1	Tag, CRI

# = Revised or new since last update



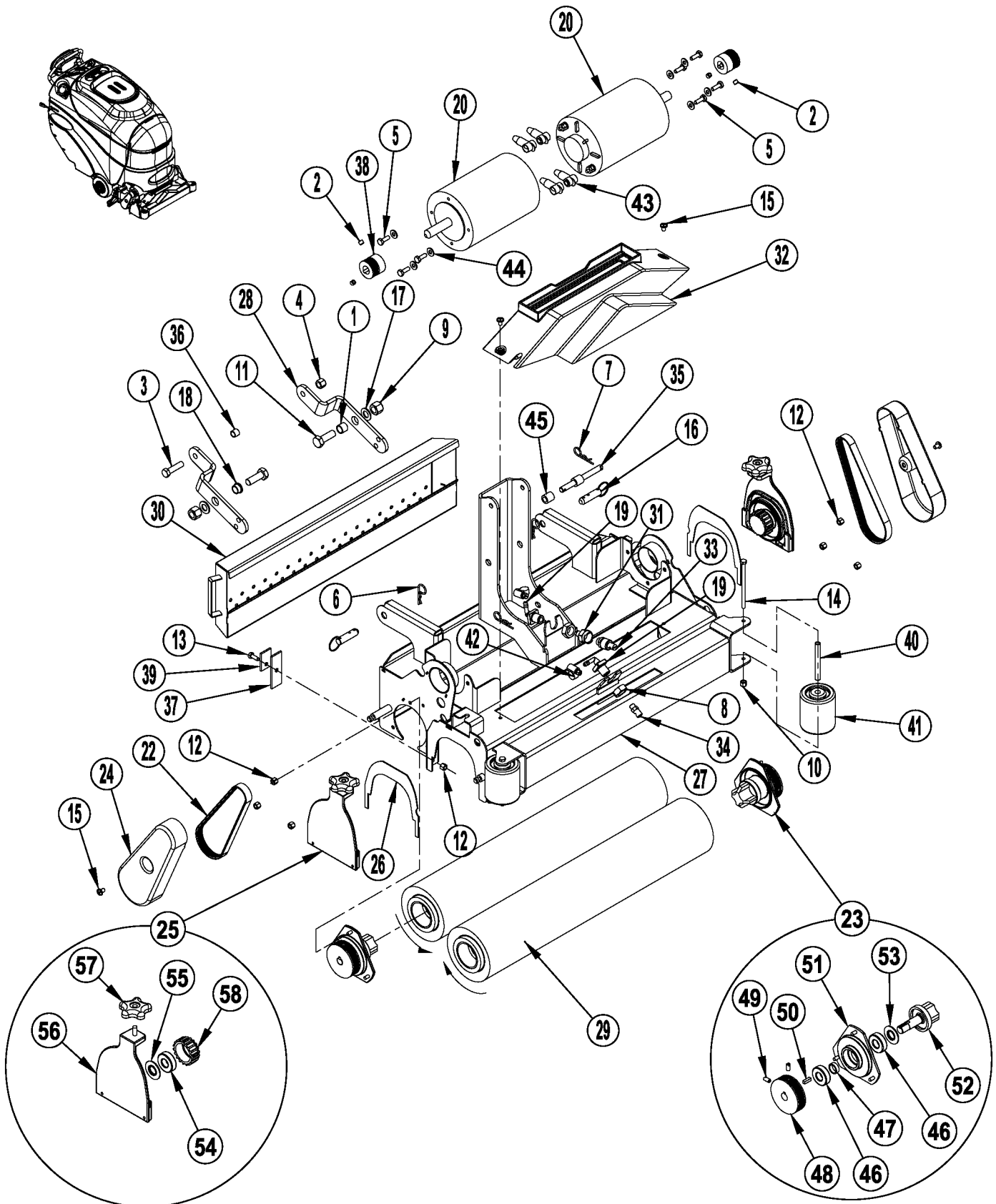


07-4	<b>RECOVERY SYSTEM</b>		
07-8	<b>AquaPLUS™, AquaPLUS™ AXP</b>		<b>7</b>

Item	Ref. No.	Qty	Description
1	56001906	1	Wsh, Flt STD 1/4
2	56002043	2	Scr, Pan Phil 10-24 X .38
3	56002098	10	Wsh, Flt SAE 1/4
4	56002145	4	Scr, Pan Phil 1/4-20 X .50
5	56002849	2	Nut, Hex Nyl Loc-Thin SS 10-24
6	56002896	2	Scr, Pan Phil SS 10-24 X .62
7	56002919	4	Wsh, Flt Std SS #10
8	56002997	7	Scr, Pan Phil 1/4-20 X 1.75
9	56003003	1	Scr, Pan Phil 5/16-18 X .62
10	56009005	2	Scr, Pan Phil SS Type Ab 10-16 X .75
11	56212143	2	Gasket, Vacuum Duct
12	56264103	2	Gasket, Vacuum Motor
13	56314760	2	Gasket, Vacuum Duct
14#	56315176	1	Cover, Recovery Tank
15	56315099	2	Screen, Fan Inlet
16	56315220	1	Gasket, Recovery Lid
17	56315257	1	Clamp, P
18	56317150	1	Vac Hose Assy
19	56315272	1	Cable Assy
20	56315293	1	Hinge
21	56315303	2	Retaining, Strap
22	56315346	1	Plate
23	56317149	1	Foam, Acoustical
24	56317020	1	Tank, Recovery
25	56317025	2	Motor, Vac 24vdc (M4)
*	56397098	1	Carbon Brush set of 2 (for 56317025)
26	56317030	1	Cover, Vac
27	56317031	1	Plate, Vac
28	56317033	1	Gasket, Exhaust
29	56317034	1	Gasket, Cover
30	56317052	1	Tube, Exhaust
31	56397142	1	Drainhose
32	56440213	2	Clamp, Hose SAE #32
33	56477613	2	Tie, Cable

\* = Not Shown

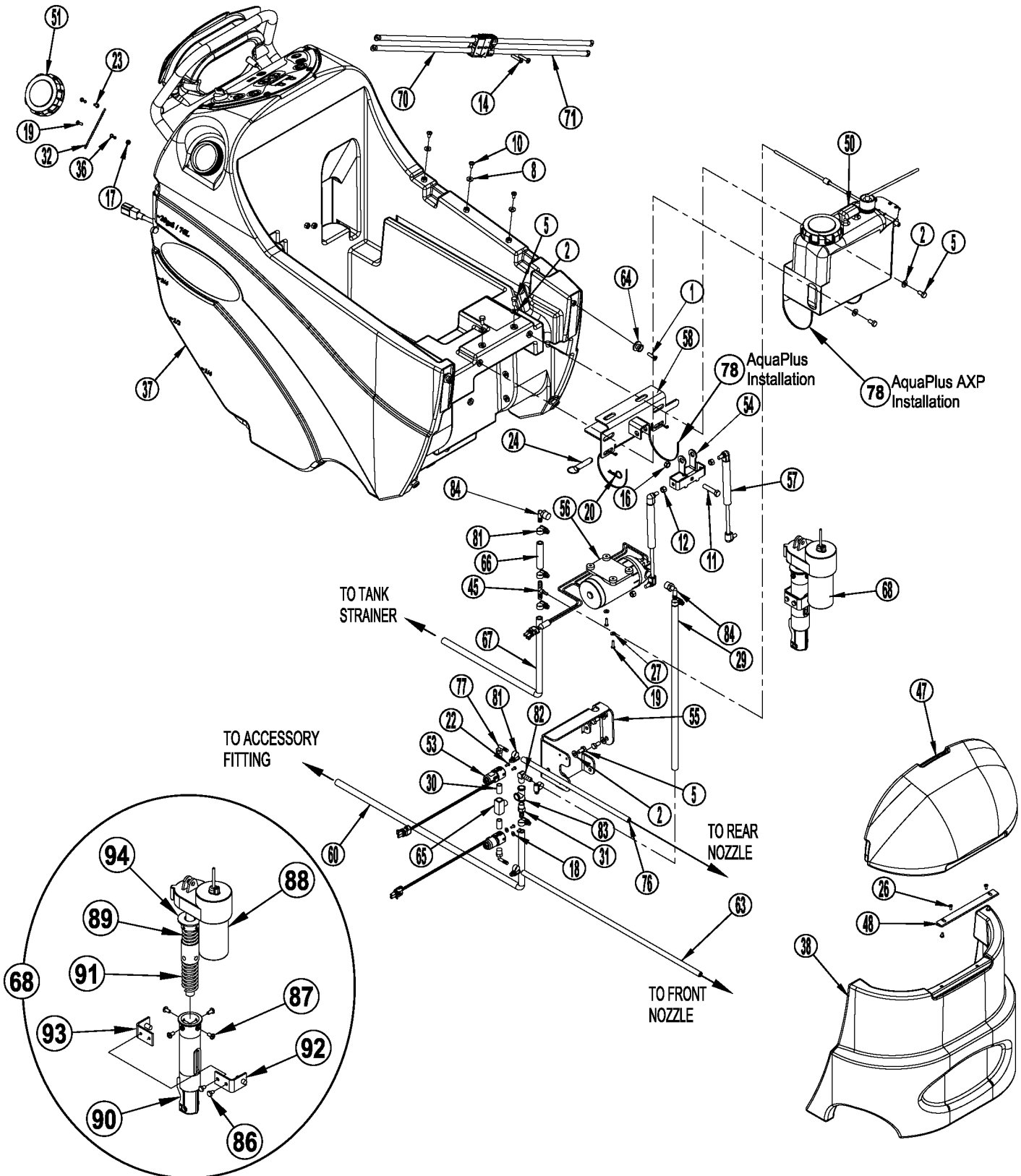
# = Revised or new since last update



Item	Ref. No.	Qty	Description	Item	Ref. No.	Qty	Description
1	56367206	1	Bushing	46	56106070	2	Bearing, Ball
2	56002086	4	Scr, Soc Set Loc 5/16-18 X .25	47	56407389	1	Spacer
3	56002095	1	Scr, Hex 3/8-16 X 1.50	48#	56316054	1	Sheave, Poly-V
4	56002769	1	Nut, Hex Nyl Loc 3/8-16	49	56002119	2	Scr, Soc Set Loc 1/4-20 x .50
5#	56002948	7	Scr,Hex Hd Loc 1/4-20 X.75	50	56003237	1	Key, Sq. .19 x .62
6	56002959	2	Pin, Cotter Hair	51	56315405	1	Bearing Plate
7	56003120	2	Pin, Cotter Hair .0915 X .375	52	56407557	1	Spindle
8	56003272	2	Nut, Hex Jam SS 5/8-11	53	56407558	1	Washer, Bearing
9	56003312	2	Nut, Hex Nyl Loc M12-1.75				
10	56003403	2	Nut, Hex Nyl Loc M6-1	54	56106070	1	Bearing, Ball
11	56003415	2	Scr, Hex M12-1.75 X 35mm	55	56407558	1	Washer, Bearing
12	56003426	8	Nut, Hex Nyl Loc SS M6-1	56	56315447	1	Idler Bearing Plate
13	56003431	2	Scr, Hex SS M6-1 X 16mm	57	56396254	1	Knob
14	56003492	2	Scr, Hex M6-1 X 95mm	58	56407551	1	Hub
15	56003603	4	Scr, Pan Phil Thd Form 1/4-20 X .38				
16	56003671	2	Pin, Ring .50 X 1.25				
17	56009003	2	Wsh, Flt .516 X .938 X .075				
18	56185264	1	Bearing, Flange				
19	56265388	2	Elbow, Panel Mount				
20	56315061	2	Motor, 24 Vdc, .5 Hp, 1800 RPM (M2 / M5)				
*	56412287	1	Brush / Spring Kit (for 56315061)				
21	56315320	2	Harness, Brush				
22#	56316053	2	Belt, Auto Tension				
23#	56317157	2	Drive End Assy (#46-53)				
24	56315445	2	Cover, Belt				
25#	56315448	2	Idler End Assy (#54-58)				
26	56316191	2	Gasket				
27	56317021	1	Housing Weldment 24"				
28	56317036	2	Link, Pivot				
29#	56314389	2	Brush, Soft Nylon 24"				
30	56317049	1	Hopper Weld't, Extractor				
31	56317053	1	Body, Nozzle Qjja				
32	56317054	1	Cover, Nozzle				
33	56317064	1	Nozzle, Spray #1				
34#	56265052	1	Nozzle				
35	56317084	1	Pin, Actuator				
36	56388326	1	Bushing				
37	56407391	2	Blade				
38#	56316086	2	Sheave, Poly-V				
39	56410214	2	Strap				
40	56412176	2	Bushing				
41	56412459	2	Wheel				
42	56756364	2	Clamp, Hose SAE #4				
43#	56409538	4	Insulator, Terminal				
44#	56009064	7	Wsh, Int Shprf 1/4				
45#	56317147	1	Bushing				

\* = Not Shown

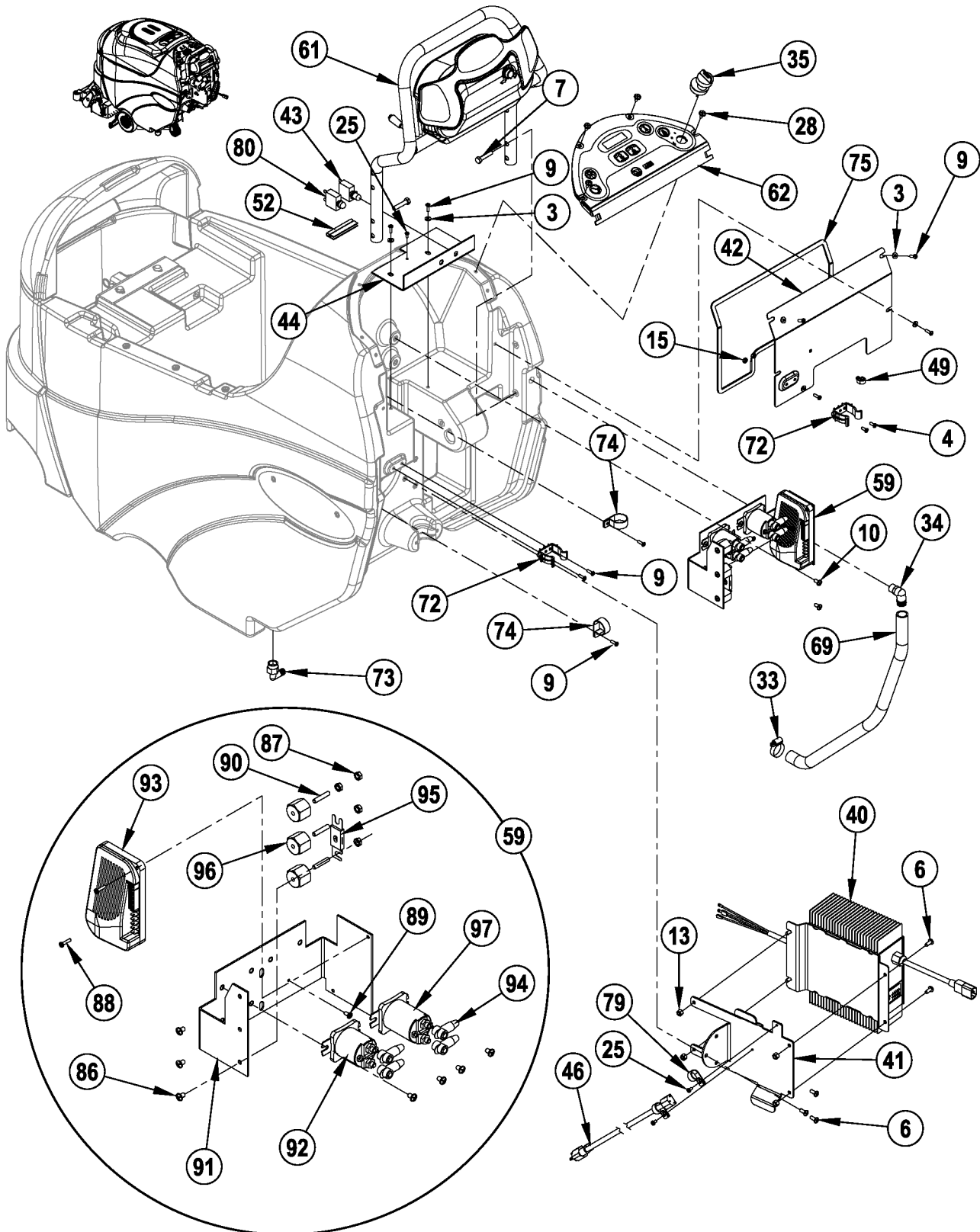
# = Revised or new since last update



Item	Ref. No.	Qty	Description	Item	Ref. No.	Qty	Description
1	56001832	4	Scr, Flt Phil 1/4-20 X 1.00	51	56315517	1	Cap, Raw
2	56001939	7	Wsh, Flt Sae 5/16 (QTY of 5 on AquaPLUS)	52	56315532	1	Gasket
3	56001954	6	Wsh, Flt Sae #10	53	56317024	2	Valve, Solenoid 24v (L1 / L2)
4	56001993	2	Scr, Pan Phil 10-24 X .50	54	56317026	1	Yoke, Actuator
5	56002035	7	Scr, Hex 5/16-18 X .62	55	56317038	1	Bracket Linkage Pivot
6	56002066	7	Scr, Pan Phil 1/4-20 X .62	56	56317045	1	Pump, 24vdc (M7)
7	56002094	4	Scr, Hex 5/16-18 X 1.50	57	56317072	2	Gas Spring
8	56002098	4	Wsh, Flt Sae 1/4	58	56317078	1	Actuator Bracket Weldt
9	56002124	10	Scr, Pan Phil 10-24 X .62	59	56317128	1	Assy, Electrical Box (86-97)
10	56002145	5	Scr, Pan Phil 1/4-20 X .50	60	56317083	1	Hose, 33"
11	56002684	1	Scr, Hex 3/8-16 X 1.75	61	56317098	1	Assembly, Paddle
12#	56002826	4	Nut, Hex Nyl Loc-Thin 5/16-18	62	56317111	1	Control Panel Assy (A1)
13	56002708	4	Nut, Hex Nyl Loc 1/4-20	**	56317114	1	Replacement Membrane Switch Assy for 56317111
14	56002825	2	Scr, Pan Phil 1/4-20 X 1.25	63	56317122	1	Hose, 1/4 X 25.00 Long
15	56002832	2	Nut, Hex Nyl Loc-Thin 10-24	64	56365777	4	Lug, Brush Driver
16	56002841	1	Nut, Hex Nyl Loc-Thin 3/8-16	65	56372506	1	Tee, Branch 1/4 Br
17	56002849	1	Nut, Hex Nyl Loc-Thin Ss 10-24	66	56387214	1	Hose, 3.0" E00169 (AquaPLUS AXP)
18	56002875	2	Wsh, Flt Sae Ss #8	67	56391773	1	Hose, 23" (AquaPLUS AXP)
19	56002894	3	Scr, Pan Phil Ss 10-24 X .75	*	56317132	1	Hose, 27" (AquaPLUS)
20	56002959	1	Pin, Cotter Hair	68	56396049	1	Lift Actuator Assembly (M12 / 86-96)
22	56003018	4	Scr, Pan Phil Ss 8-32 X .38	69	56396143	1	Hose, Pvc
23	56003633	1	Scr, Pan Phil Ss Type B 10-16 X .50	70	56397187	1	Connector Assy (connected to batteries)
24	56003679	1	Pin, Ring .50 X 1.63	71	56397188	1	Connector Assy (connected to machine)
25	56009030	3	Scr, Pan Phil Thd Form 10-24 X .38	72	56407361	2	Clamp, Plastic
26	56009139	4	Scr, Pan Phil Loc 10-24 X .38	73	56409152	1	Barb, 90 Elbow 1/2 X 1/2npt
27	56009205	2	Wsh, Flt Ss .219 X .500 X .047/.062	74	56410166	2	Clamp,P
28	56009206	4	Scr, Truss Phil-Blk 10-24x.50	75	56412285	1	Gasket, Elect. Cover
29	56054146	1	Tube, Vinyl	76	56456560	1	15.00" Hose
30	56150223	2	Nipple, 1/4npt X .88/1.12	77	56470138	2	Barb, 90 Elbow 1/4 X 1/4npt
31	56155640	1	Barb, Adapter 3/8 X 1/4npt	78#	56478523	2	Tie, Cable
32	56212242	1	Chain	79	56486112	2	Clamp,P
33	56244969	1	Clamp, Hose Sae #12	80	56507644	1	Circuit Breaker, 10 Amp (CB1)
34	56264442	1	Barb, 90 Ebow 3/4 X 3/8npt	81	56756364	8	Clamp, Hose SAE #4 (QTY of 6 on AquaPLUS)
35	56303553	1	Key Switch Assembly (S1)	82	56756739	1	Elbow,90 Barb Male
*	56303526	A/R	Set of 2 Replacement Keys	83	56900027	1	Tee, Female Union
36	56311057	2	Coupler, Chain	84	56900035	2	Barb, 90 Elbow 3/8 X 3/8npt
37	56315089	1	Tank, Solution	85#			<b>Deleted Intentionally</b>
38	56315104	1	Nose Cone, 24-26 Commercial	86	56002462	7	Scr, Pan Phil 1/4-20 X .38
40	56315124	1	Charger, On-Board 24v	87	56002561	4	Nut, Hex W/ Shprf 1/4-20
41	56315206	1	Bracket, Charger	88	56003698	2	Scr, Pan Phil Thd Form 8-32 X .75
42	56315222	1	Panel, Electrical	89	56009030	1	Scr, Pan Phil Thd Form 10-24 X .38
43	56315256	1	Circuit Breaker, 30 Amp (CB2)	90	56009203	3	Stud, 1/4-20
44	56315259	1	Plate, Circuit Breaker	91	56317081	1	Panel, Electrical
45	56315265	1	Tee, Barb (AquaPLUS AXP)	92#	56317101	1	Contact, 24vdc 100a (K1)
46	56315270	1	Charger Cord, Us	93	56317102	1	Controller, Speed (A2)
47	56315284	1	Cover, Chemical Bottle	94	56409538	4	Insulator, Terminal
48	56315285	1	Hinge	95	56412089	1	Fuse, 150 Amp (F1)
49	56315382	1	Clip, Conduit	96	56469858	3	Standoff, Insulated
50	56315501	1	Chemical Tank AS (AquaPLUS AXP)	97#	56317116	1	Contact, 24vdc 200a (K2)

\* = Not Shown

# = Revised or new since last update

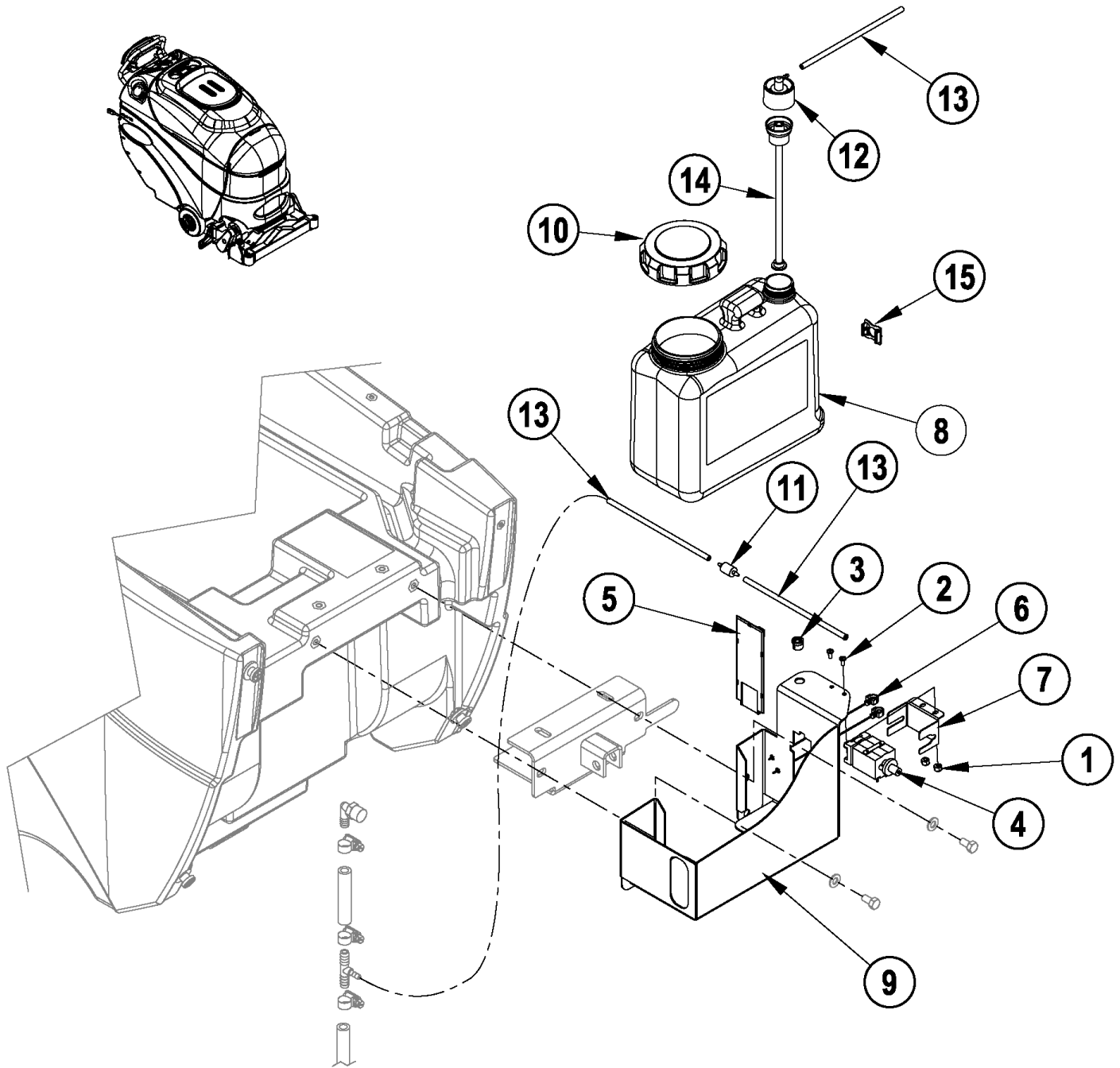




Item	Ref. No.	Qty	Description	Item	Ref. No.	Qty	Description
1	56001832	4	Scr, Flt Phil 1/4-20 X 1.00	51	56315517	1	Cap, Raw
2	56001939	7	Wsh, Flt Sae 5/16 (QTY of 5 on AquaPLUS)	52	56315532	1	Gasket
3	56001954	6	Wsh, Flt Sae #10	53	56317024	2	Valve, Solenoid 24v (L1 / L2)
4	56001993	2	Scr, Pan Phil 10-24 X .50	54	56317026	1	Yoke, Actuator
5	56002035	7	Scr, Hex 5/16-18 X .62	55	56317038	1	Bracket Linkage Pivot
6	56002066	7	Scr, Pan Phil 1/4-20 X .62	56	56317045	1	Pump, 24vdc (M7)
7	56002094	4	Scr, Hex 5/16-18 X 1.50	57	56317072	2	Gas Spring
8	56002098	4	Wsh, Flt Sae 1/4	58	56317078	1	Actuator Bracket Weldt
9	56002124	10	Scr, Pan Phil 10-24 X .62	59	56317128	1	Assy, Electrical Box (86-96)
10	56002145	5	Scr, Pan Phil 1/4-20 X .50	60	56317083	1	Hose, 33"
11	56002684	1	Scr, Hex 3/8-16 X 1.75	61	56317098	1	Assembly, Paddle
12#	56002826	4	Nut, Hex Nyl Loc-Thin 5/16-18	62	56317111	1	Control Panel Assy (A1)
13	56002708	4	Nut, Hex Nyl Loc 1/4-20	**	56317114	1	Replacement Membrane Switch Assy for 56317111
14	56002825	2	Scr, Pan Phil 1/4-20 X 1.25	63	56317122	1	Hose, 1/4 X 25.00 Long
15	56002832	2	Nut, Hex Nyl Loc-Thin 10-24	64	56365777	4	Lug, Brush Driver
16	56002841	1	Nut, Hex Nyl Loc-Thin 3/8-16	65	56372506	1	Tee, Branch 1/4 Br
17	56002849	1	Nut, Hex Nyl Loc-Thin Ss 10-24	66	56387214	1	Hose, 3.0" _E00169 (AquaPLUS AXP)
18	56002875	2	Wsh, Flt Sae Ss #8	67	56391773	1	Hose, 23" (AquaPLUS AXP)
19	56002894	3	Scr, Pan Phil Ss 10-24 X .75	*	56317132	1	Hose, 27" (AquaPLUS)
20	56002959	1	Pin, Cotter Hair	68	56396049	1	Lift Actuator Assembly (M12 / 86-96)
22	56003018	4	Scr, Pan Phil Ss 8-32 X .38	69	56396143	1	Hose, Pvc
23	56003633	1	Scr, Pan Phil Ss Type B 10-16 X .50	70	56397187	1	Connector Assy (connected to batteries)
24	56003679	1	Pin, Ring .50 X 1.63	71	56397188	1	Connector Assy (connected to machine)
25	56009030	3	Scr, Pan Phil Thd Form 10-24 X .38	72	56407361	2	Clamp, Plastic
26	56009139	4	Scr, Pan Phil Loc 10-24 X .38	73	56409152	1	Barb, 90 Elbow 1/2 X 1/2npt
27	56009205	2	Wsh, Flt Ss .219 X .500 X .047/.062	74	56410166	2	Clamp,P
28	56009206	4	Scr, Truss Phil-Blk 10-24x.50	75	56412285	1	Gasket, Elect. Cover
29	56054146	1	Tube, Vinyl	76	56456560	1	15.00" Hose
30	56150223	2	Nipple, 1/4npt X .88/1.12	77	56470138	2	Barb, 90 Elbow 1/4 X 1/4npt
31	56155640	1	Barb, Adapter 3/8 X 1/4npt	78#	56478523	2	Tie, Cable
32	56212242	1	Chain	79	56486112	2	Clamp,P
33	56244969	1	Clamp, Hose Sae #12	80	56507644	1	Circuit Breaker, 10 Amp (CB1)
34	56264442	1	Barb, 90 Ebow 3/4 X 3/8npt	81	56756364	8	Clamp, Hose SAE #4 (QTY of 6 on AquaPLUS)
35	56303553	1	Key Switch Assembly (S1)	82	56756739	1	Elbow,90 Barb Male
*	56303526	A/R	Set of 2 Replacement Keys	83	56900027	1	Tee, Female Union
36	56311057	2	Coupler, Chain	84	56900035	2	Barb, 90 Elbow 3/8 X 3/8npt
37	56315089	1	Tank, Solution	85#			Deleted Intentionally
38	56315104	1	Nose Cone, 24-26 Commercial				
40	56315124	1	Charger, On-Board 24v	86	56002462	7	Scr, Pan Phil 1/4-20 X .38
41	56315206	1	Bracket, Charger	87	56002561	4	Nut, Hex W/ Shprf 1/4-20
42	56315222	1	Panel, Electrical	88	56003698	2	Scr, Pan Phil Thd Form 8-32 X .75
43	56315256	1	Circuit Breaker, 30 Amp (CB2)	89	56009030	1	Scr, Pan Phil Thd Form 10-24 X .38
44	56315259	1	Plate, Circuit Breaker	90	56009203	3	Stud, 1/4-20
45	56315265	1	Tee, Barb (AquaPLUS AXP)	91	56317081	1	Panel, Electrical
46	56315270	1	Charger Cord, Us	92#	56317101	1	Contactora, 24vdc 100a (K1)
47	56315284	1	Cover, Chemical Bottle	93	56317102	1	Controller, Speed (A2)
48	56315285	1	Hinge	94	56409538	4	Insulator, Terminal
49	56315382	1	Clip, Conduit	95	56412089	1	Fuse, 150 Amp (F1)
50	56315501	1	Chemical Tank AS (AquaPLUS AXP)	96	56469858	3	Standoff, Insulated
				97#	56317116	1	Contactora, 24vdc 200a (K2)

\* = Not Shown

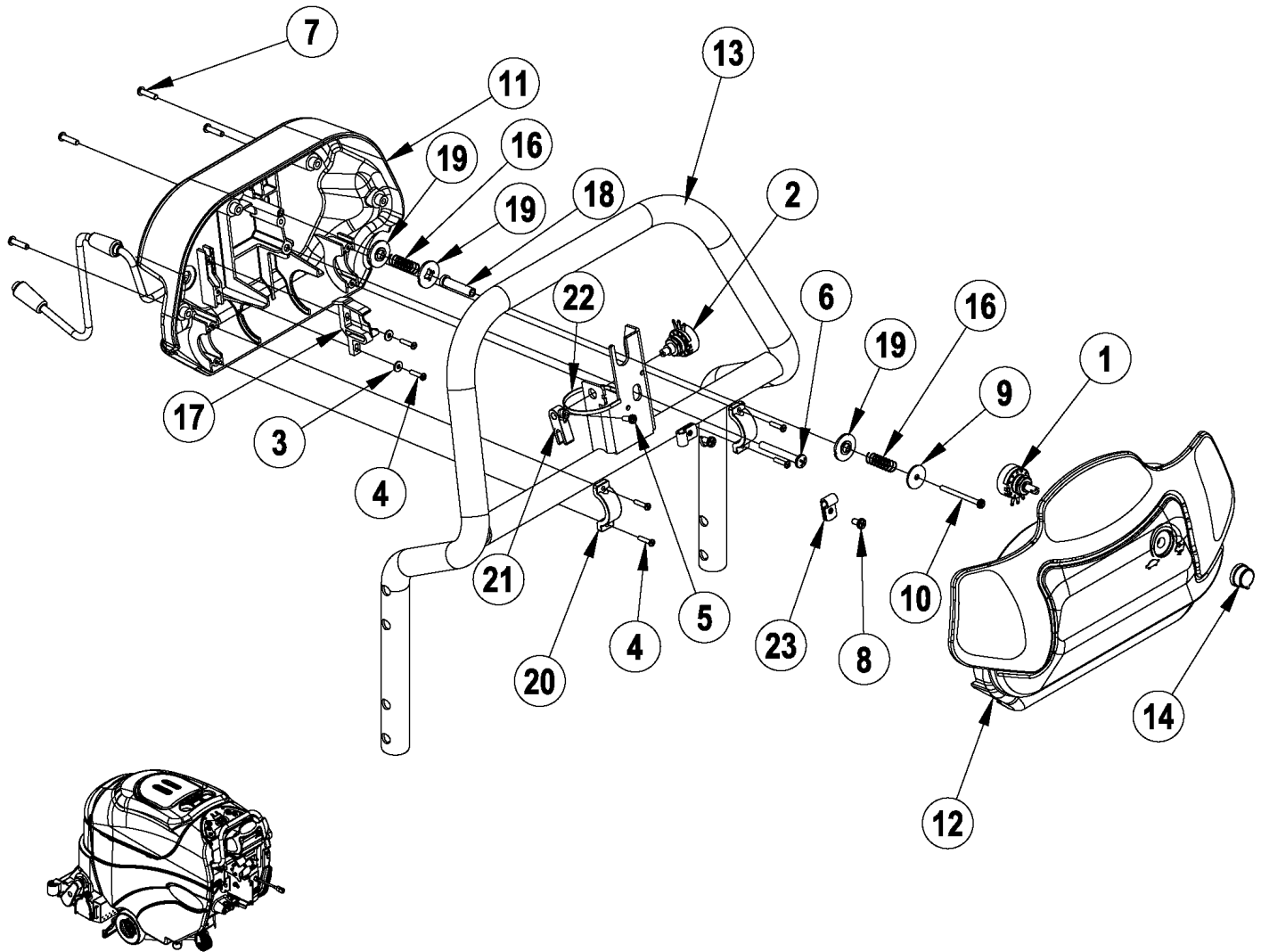
# = Revised or new since last update



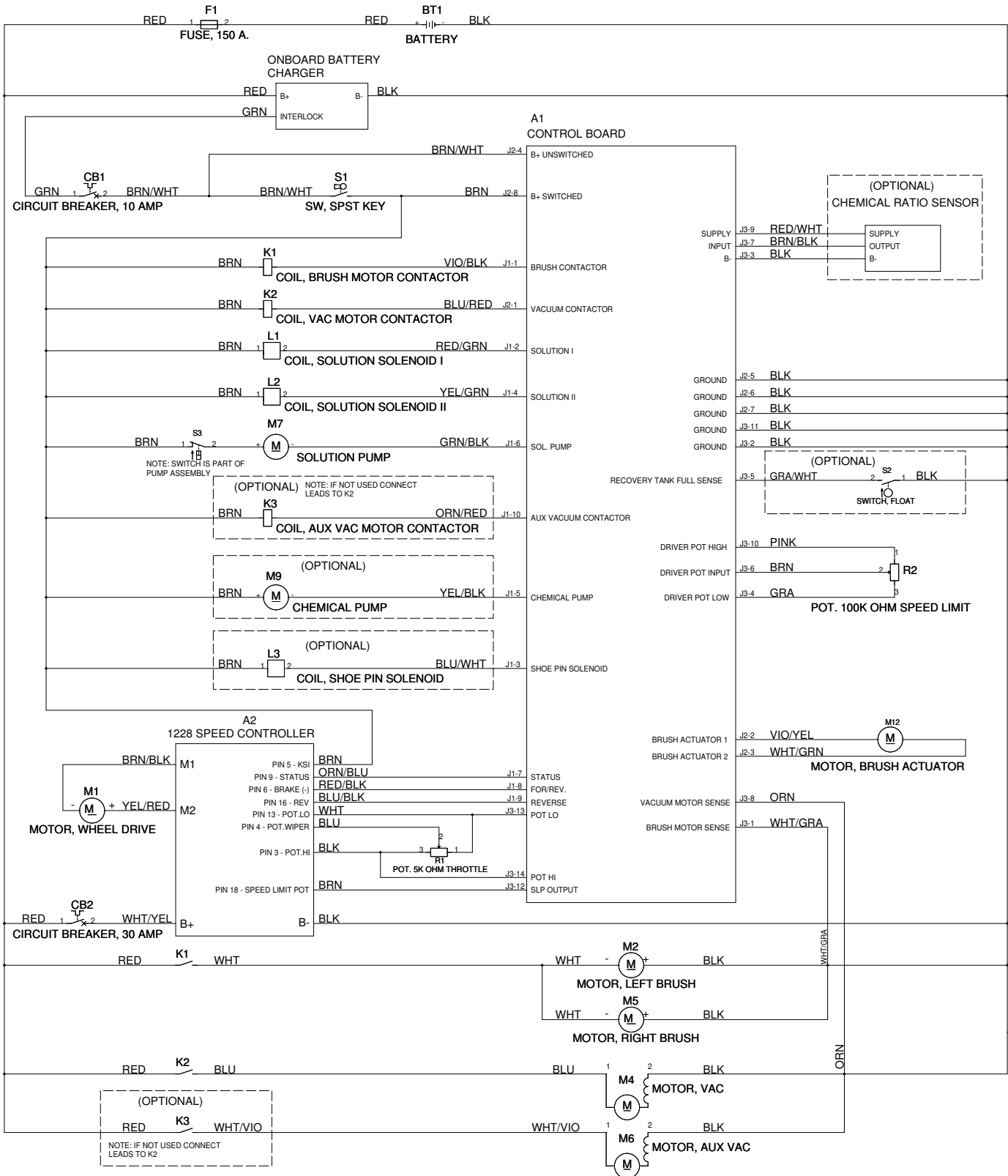


Item	Ref. No.	Qty	Description
	56315501	1	Chemical Tank Assy (1-14)
1	56002877	2	Nut, Hex Nyl Loc SS 8-32
2	56003018	2	Scr, Pan Phil SS 8-32 x .38
3	56003699	1	Bushing, 1/4 ID Snub
4	56315241	1	Pump, Chemical
5	56315340	1	Circuit Board Assy
6	56315382	2	Clip, Conduit
7	56315476	1	Bracket, Chemical Pump
8	56315502	1	Chemical Bottle As
**	56317144	A/R	AXP Multi / Prespray 4 pack
9	56315515	1	Bracket, Tank Mounting
10	56315517	1	Cap
11	56315522	1	Check Valve, 1/8 Barb, 125PSI
12	56315523	1	Cap, Dry Break, 1/8 Barb, 90°
13	56315524	3	Hose, Chemical Resistant, 7"
14	56315527	1	Insert, Dry Break
15	56315511	1	Indicator Assy
**	56315503	A/R	Chemical Bottle Assy (8, 10, 14)

\*\* = Optional, Not Included



Item	Ref. No.	Qty	Description
	56317098	1	Assembly, Paddle
1	56396197	1	Potentiometer, 100k (R2)
2	56397029	1	Potentiometer, 5k (R1)
3	56002006	2	Wsh, Flt SAE #6
4	56003197	6	Scr, Pan Phil Plastite 6-18 X .62
5	56003354	1	Scr, Pan Phil M4-0.7 X 12mm
6	56003527	1	Scr, Pan Phil Plastite 1/4-1 X 2.00
7	56003545	4	Scr, Pan Phil Plastite 8-10 X .75
8	56009030	2	Scr, Pan Phil Thd Form 10-24 X .38
9	56009096	1	Wsh, Flt .193 X .875 X .060
10	56009287	1	Scr, Pan Phil Type B 8 X 2.00
11	56315229	1	Paddle, Back Cover
12	56315230	1	Paddle, Front Cover
13	56315251	1	Weldment, Handle Bar
14	56315280	1	Knob
15	56317112	1	Harness, Handle
16	56325654	2	Spring, Compression
17	56397015	1	Cam Controller
18	56397109	1	Sleeve
19	56397170	3	Washer, Plastic
20	56397171	2	Clamp
21	56397172	1	Potentiometer Fork
22	56478246	1	Tie, Cable
23	56481890	2	Clamp,P



Item	Ref. No.	Qty	Description
A1	56317111	1	Control Panel Assy
A2	56317102	1	Speed Control
BT1	NA	4	Battery (see "Optional Kits & Accessories" page)
CB1	56507644	1	Circuit Breaker, 10 Amp
CB2	56315256	1	Circuit Breaker, 30 Amp
F1	56412089	1	Fuse, 150 Amp
K1	56317101	1	Contactora, Brush Motor
K2	56317101	1	Contactora, Vac Motor
K3	56317101	1	Contactora, Aux Vac Motor <b>(Optional)</b>
L1	56317024	1	Solenoid 1, Solution
L2	56317024	1	Solenoid 2, Solution
M1	56315062	1	Transaxle, 24V
*	56315377	1	Motor
*	56315378	4	Carbon Brush
*	56315379	2	Neoprene Mounting Sleeve
M2	56315061	1	Motor, 24 Vdc, .5 Hp, 1800 RPM <b>(Left)</b>
*	56412287	1	Brush / Spring Kit <b>(for 56315061)</b>
M4	56317025	1	Motor, Vac 24vdc
*	56397098	1	Carbon Brush set of 2 <b>(for 56317025)</b>
M5	56315061	1	Motor, 24 Vdc, .5 Hp, 1800 RPM <b>(Right)</b>
*	56412287	1	Brush / Spring Kit <b>(for 56315061)</b>
M6	56317025	1	Motor, Vac 24vdc <b>(AUX)</b>
*	56397098	1	Carbon Brush set of 2 <b>(for 56317025)</b>
M7	56317045	1	Pump, Solution
M9	56315241	1	Pump, Chemical <b>(Optional)</b>
M12	56396049	1	Lift Actuator Assembly
R1	56397029	1	Potentiometer, 5K Ohm, Throttle
R2	56396197	1	Potentiometer, 100K Ohm, Speed Limit
S1	56303553	1	Key Switch Assembly
*	56303526	A/R	Set of 2 Replacement Keys
S2	N/A	1	Switch, Float <b>(Optional)</b>
S3	N/A	1	Switch <b>(part of M7)</b>
*	56315124	1	Charger, Onboard 24V <b>(Onboard Charger Models Only)</b>
*	56315747	1	Thermistor Repair Kit for 56315124
*	56315340	1	Chemical Ratio Sensor <b>(AXP Models Only)</b>
*	56317109	1	Harness, Main
*#	56317115	1	Harness, Scrub Deck Ground
*	56416445	3	Cable Assy 4 AWG <b>(Battery Cables)</b>
*	56372673	8	Boot, Battery Post
*	56478523	2	Tie, Cable
*	56478246	9	Tie, Cable
*	56314119	1	Spacer, Battery

\* = Not Shown

# = Revised or new since last update

**OPTIONAL KITS AND ACCESSORIES**

07-4

20

**AquaPLUS™, AquaPLUS™ AXP**

07-8

**Ref. No. Qty Description**

**Optional Kits**

**	56317136	1	Kit, Scrub & Vac Tool W/Caddy
*	56040913	1	Instruction Sheet
**	56315312	1	Squeegee Wand Kit
*	56040825	1	Instruction Sheet
**	56317114	A/R	Panel Assy
*	56040933	1	Instruction Sheet
**	56315732	1	QuiQ Programmer Kit
**#	56317153	1	Kit, Float Switch

Replacement parts for the kits listed above can be found on each kit's associated instruction sheet.

**Accessories**

**	56315316	A/R	Tote Bag
**	56397453	6	Indicator, Battery Level (1 per battery)
**	56409441	A/R	Programmer, 1307 User
**	56409823	A/R	Programmer Cable
**	56262209	A/R	Light Duty Soft Floor Drag Wand
**	56265305	A/R	Heavy Duty Soft Floor Drag Wand
**	56220109	A/R	Upholstery Tool Assy
**	56220070	A/R	Upholstery Tool Assy
**	56265368	A/R	Hose Assy, 8 FT
**	56265174	A/R	Hose Assy, 15 FT
**	56317144	A/R	AXP Multi / Prespray 4 PK
**	56315503	A/R	Chemical Bottle Assy

**Optional Batteries**

**	56206987	4	Battery, 6V 180AH Gel
**	56206117	4	Battery, 6V 195AH Wet
**	56206079	4	Battery, 6V 235AH Wet
**#	56317154	4	Battery, 6V 251AH Wet
**#	56315772	4	Battery, 6V 255AH Sealed

**Optional Battery Chargers**

**	56388109	A/R	Charger, 24V 25A 110V
----	----------	-----	-----------------------

\* = Not Shown

\*\* = Optional, Not Included

# = Revised or new since last update



